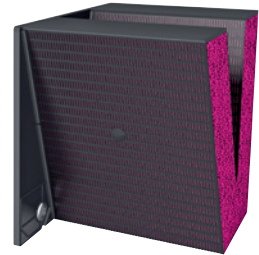
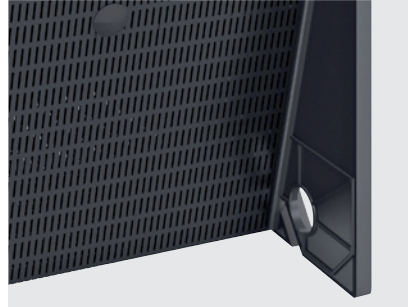
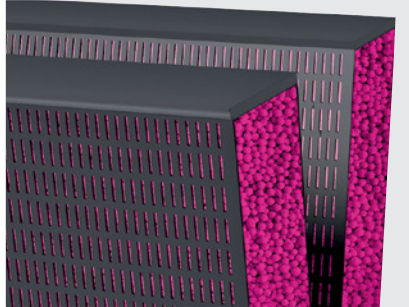


AP-12 & AP-18 MODULES

GAS PHASE FILTRATION



Applications

Modules are the rugged plastic housings that contain our chemical filtration pellets. They come in a range of four sizes to suit all applications and are designed for easy handling and replacement. They can be supplied pre-filled, direct from our production facilities, or refilled via their easy-access removable caps.

The design of your system will determine which size of module you require. Factors that need to be taken into consideration include available space, air-flow volumes, type and concentration of contaminants and desired media life. Please consult your local Viledon® partner for further information.

Proven performance and low whole-life costs

AP-12 & AP-18 Modules offer excellent performance with low pressure drops. We have designed our modules to minimize maintenance time and reduce whole-life costs.



AP-18 full size

AP-18



AP-12 full size

AP-12

AVAILABLE GEOMETRIES		AP-18 FS	AP-18	AP-12 FS	AP-12
Dimensions (L×W×H)	mm	598×438×144	299×438×144	598×295×299	299×295×299
Pellet bed depth	mm	25.4		76	
DELIVERY NOTES		AP-18 FS	AP-18	AP-12 FS	AP-12
Weight per module	kg	3.4	2.0	2.9	1.8
Delivery unit	pcs.	1	2	1	2

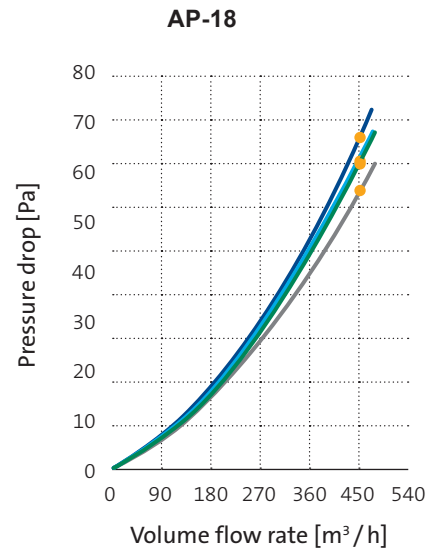
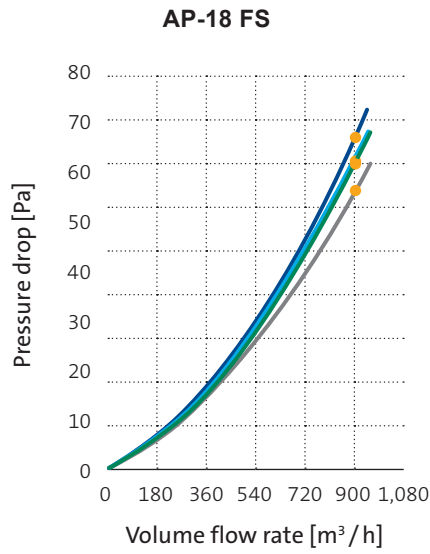
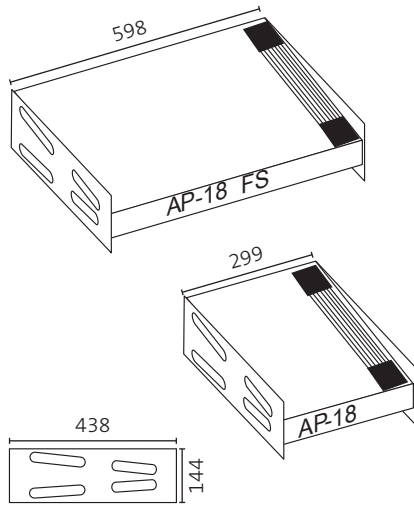


UL900 certified

* Full-size 12" deep-bed modules are designed to hold 1 full box of pellets

TECHNICAL FILTER TEST DATA

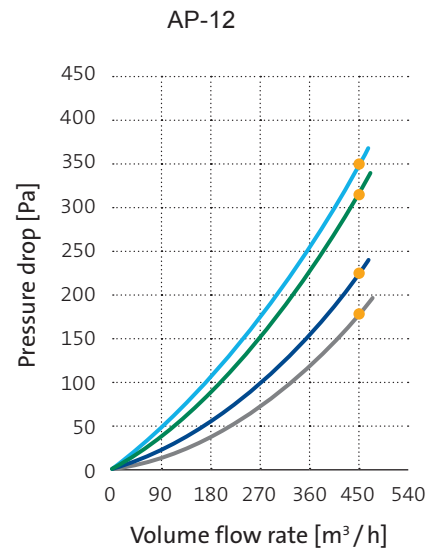
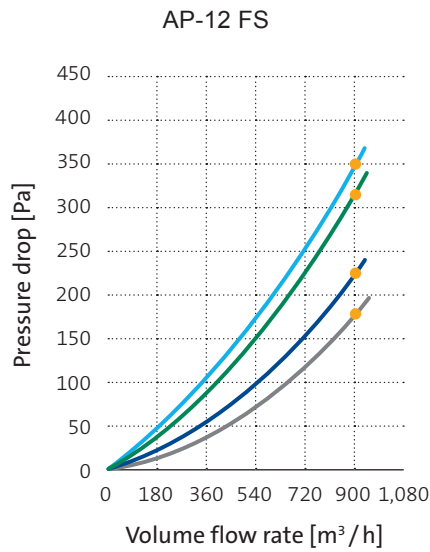
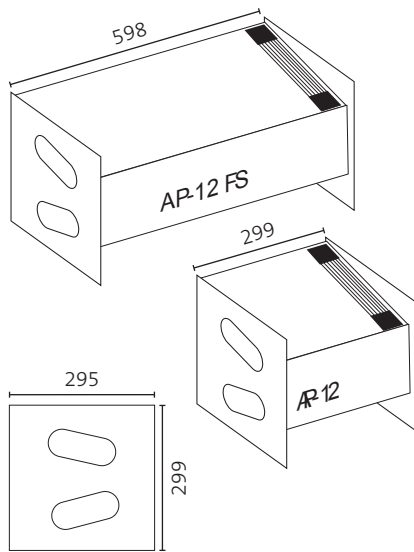
AP-18 series



— Alphasorb 2 & 5 & 8 & 15

— Alphacarb — Blend 8A — Alphasorb 3 ● Nominal volume flow rate

AP-12 series



— Alphasorb 2 & 5 & 8 & 15

— Alphacarb — Blend 8A — Alphasorb 3 ● Nominal volume flow rate